

NEO CAR JUKEBOX

Installation and Instruction Manual

Multi Technology Equipment
One Possumtown Rd. Piscataway NJ 08854
www.ssiamerica.com
Phone 732.560-1996 • Fax 732.560.9336

Table of Contents

CHAPTER 1 (W E L C O M E)		CHAPTER 5 (C A R U S E)	
Introduction	1	Front Bezel	15
Box Contents	2	Remote LCD	15
		Remote Control	16
CHAPTER 2 (P C I N S T A L L)		Basic Control	17
Overview Of Process	3	Navigation	20
Opening Computer	3	Program Modes	21
Installing The PC Docking Bay	4	Equalizer Functions	21
Connecting Computer Wires	4	Playlist Files	22
First Time Use	6	AutoDJ	22
Trouble Shooting	6		
		CHAPTER 6 (M E N U S E T U P)	
CHAPTER 3 (M U S I C M A T C H)		Folder Arrangement	23
Software Installation	7	Making Playlists	24
Software Configuration	7	File Names	24
Use Of Software	8		
Trouble Shooting	8	CHAPTER 7 (A D V A N C E D)	
		Downloading Music	25
CHAPTER 4 (C A R I N S T A L L)		Editing ID3 Tags	25
Overview Of Process	9	ID3 Mode On/Off	25
Installation Options	9		
Remote LCD	12	CHAPTER 8 (D E T A I L S)	
Car Bay	13	Care Instructions	26
FM Modulator	14	Technical Specifications	27
Trouble Shooting	14	Notices, Warnings, and Warranty Info	28

Introduction to the Neo Car Jukebox

In this chapter you will learn about why the Neo Car Jukebox was made, how it can be used, as well as general information about it.

Congratulations for purchasing the Neo Car Jukebox, the cost effective, integrated, high performance audio jukebox for car and home use. Unlike some products, it is very important that you take the time to fully read this instruction manual to ensure you enjoy the Neo Car Jukebox and are able to install as well as operate the unit for years to come.

The Neo Car Jukebox is based on the MP3 (MPEG 1, Audio Layer 3) file format. MP3 files can be created on any computer using software. A software package named “MusicMatch Jukebox” is included with your player. MusicMatch is the best software available for Win95/98/ME as well as Macintosh computers. When you are prompted to enter the “Upgrade Key” please enter the key found on the CD case included with your player.

Using MusicMatch you will be able to quickly send your entire CD collection to your Neo Car Jukebox. Another way to place music into your Jukebox is using MP3 files from the Internet. There are many good resources for free MP3 files such as www.mp3.com.

Two types of installation are required for your Neo Car Jukebox, both of which are covered in this instruction manual. The first installation needed is placing the PC docking bay inside your computer, or a friend’s computer. In most cases this installation can be performed using this instruction manual, even if you have no experience with computers. The second installation required is in the car rather than home. While car installation can also be done at home, we suggest you have your local car audio shop professionally install the Neo Car Jukebox. PC Installation is covered in chapter two, while car installation is covered in chapter three.

Box Contents

- 1x – Neo Car Jukebox
- 1x – Car Docking Bay
- 1x – Wired Remote LCD
- 1x – FM Modulator with RCA Cable and Power Input Lead
- 1x – PC Docking Bay
- 1x – Carry Case
- 2x – Car Mount Brackets
- 8x – Screws to secure PC Bay to Computer
- 4x – Screws to Connect Metal Brackets to Car
- 4x – Screws to Connect Metal Brackets to Car Bay
- 1x – In-Line Fused Power Lead for Car Bay Power Input
- 1x – Power Lead to connect Fused Power Lead to Car
- 1x – 12v Output Lead for Car Bay to Amp or FM Modulator
- 1x – IDE Computer Cable to Connect Neo PC Bay to Computer
- 1x – Long RCA Cable
- 1x – Short RCA Cable
- 2x – Antenna Lines
- 2x – Keys to Enable Neo Operation
- 1x – MusicMatch Software CD
- 1x – User Manual
- 1x – Registration Card to Activate Warranty

PC Installation Procedures

In this chapter you will learn how to install your Neo Car Jukebox's PC docking bay into a computer.

While you may or may not know much about computers, the PC docking bay installation is a fairly easy process that most people can do themselves. In this chapter you will find pictures that guide you through the entire process. If you are not comfortable opening your computer system, your entire computer system and PC docking bay can be taken to a local computer store for installation.

Step One – Opening Computer

Computer systems made recently usually have three screws on the back that hold the case in place. Once these three screws are removed, the metal case will slide backwards, and can be lifted off of the computer.

Some computers have these screws in the front of the case, behind a plastic face of sorts. If you cannot locate screws in the back of your machine, the front of it may be removable. If you are unable to open the case, please go to a local computer store.

Step Two – Installing The PC Docking Bay

Now that you have your computer opened, you are ready to install the PC bay. Locate a 5.25" drive bay that is empty. These bays are CDROM drive size. Once this bay has been located, you will want to remove the metal break away panel that covers the front, this may be hard to do. Once the panel is removed, you will be ready to slide your PC docking bay into the 5.25" slot as shown on the next page.

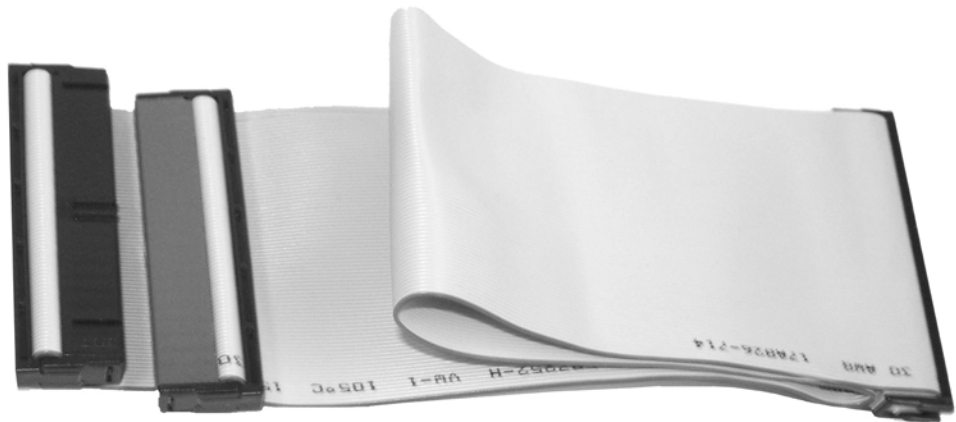
NEO CAR JUKEBOX INSTRUCTIONS



Once you have placed the PC bay into the 5.25" bay, you will need to secure it in place. Align the front of the PC bay so it is even with your other 5.25" devices. Once the PC docking bay is in line with other devices, you can make minor adjustments and use the eight included screws to secure the bay into place as shown above.

Step Three - Connecting Computer Wires

With the PC bay in place, you will need to connect two wires to the back of it as seen above. The first wire sends data to your player; this wire is called an "IDE" cable. There is a small IDE cable connected to your floppy disk drive that you will **not** use, and a larger IDE cable connected to your computers hard disk drive that you will need to locate, but **not** use. A picture of the included IDE can be seen below.



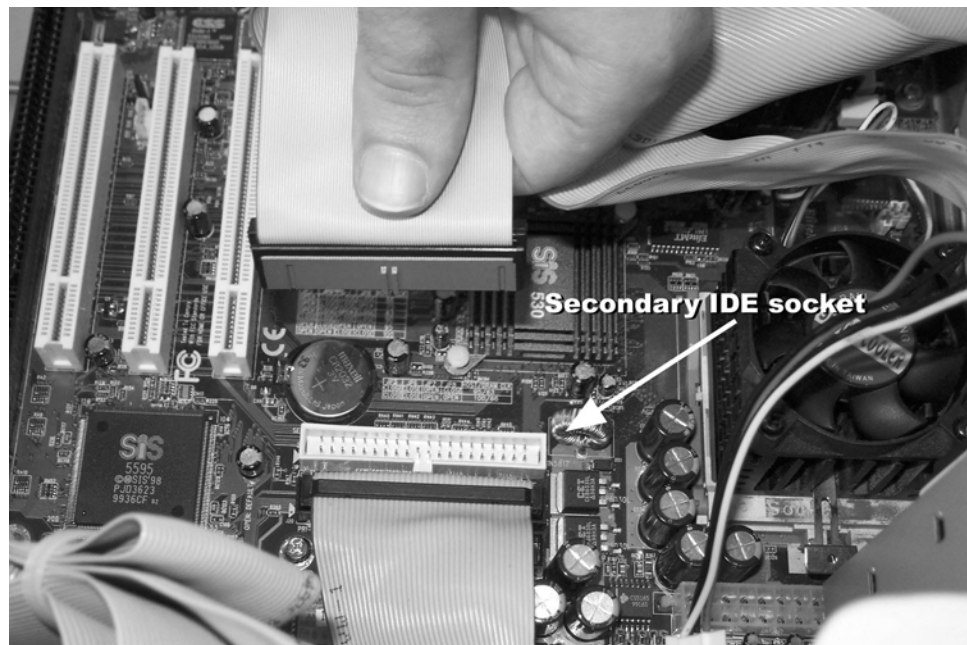
Once you have located the IDE cable that goes to your computers hard disk drive, you will need to follow it back to the computers main board. On this board you will either see another IDE cable of the same size next to the main one, or you will see a slot in the main board in which an IDE cable can be plugged in. If there is an empty slot in the main board please follow the directions in section 3.1, if there is a cable, see section

NEO CAR JUKEBOX INSTRUCTIONS

3.2. Once finished with either step, connect one of the computers power cables to your PC docking bay. These power cables will only fit one way.

STEP 3.1

Since there is an extra slot in your main board, it means you currently have no devices on your secondary IDE chain. You will need to locate the supplied IDE cable pictured on page four. Once this cable has been located, you will plug it into the empty slot as shown below. Please note that on one side, at the very edge of your IDE cable; there will be a colored stripe. This stripe must line up with the IDE cable you currently have in your computer, meaning it will be on the same side as in the picture below.



Once the IDE cable is connected to your computer, you will plug it into the back of your Neo Car Jukebox's PC docking bay which you previously installed. You will need to make sure the colored stripe is on the same side as the power connector.

STEP 3.2

Since you already have an IDE cable, you will not need to use the cable pictured on page four that was included with your player. Follow the second IDE chain up and find out which devices it connects to. If it is only connected to your CDROM drive, you may need to set the CDROM drives "jumper" to slave. Use another connector on the IDE cable to connect to the PC docking bay so as not to disable your CDROM drive. If the IDE cable you currently have is connected to two devices, you may need to move one device to your other IDE cable, which complicates the process. At this point in time, if you are not familiar with what is going on, you should visit a local computer store and let them take care of it all for you.

NEO CAR JUKEBOX INSTRUCTIONS

If you do know about computers, you can configure the system making sure the Neo Car Jukebox is going to be “master” on any IDE chain it is connected to. The Jukebox will not function as a slave device, and cannot be on the same IDE cable as another “master” device.

Step Four – First Time Use

Now that the PC Docking Bay is installed in your computer, you can close the case. Once the case is closed, slide the Neo Car Jukebox into the PC docking bay and lock the key lock. **The key must be locked for this device to operate.**

Once the computer is booted, you will see the Neo Car Jukebox listed under “My Computer” as another hard drive.

Trouble Shooting

Problem: The computer will no longer boot

Solution: The IDE cable has been connected backwards, or two “master” devices are on the same chain. Fix the backwards cable or, remove devices from the chain.

Problem: The computer does not see the Neo Car Jukebox

Solution: The bios of your computer may not be set up to see any other devices. Press delete when you boot your computer, set all IDE sections to “auto detect” rather than “disabled”

Solution: Make sure the key is used to lock the Neo Car Jukebox into the computer.

Solution: Make sure the power button on your Neo Car Jukebox is set to “on”.

Problem: Many problems with PC Bay installation, what can be done?

Solution: While it costs money to bring your computer to a local computer store for help, it can be well worth it if needed. Having the PC bay installed by a friend or computer shop for you may be a hassle, but it can save a lot of time in the long run.

MusicMatch Jukebox Software

*In this chapter you will learn how to install and use MusicMatch.
This software will let you add music to your Neo Car Jukebox.*

MusicMatch Jukebox is the best software available for Win95/98/ME as well as Macintosh computers to convert audio CD's to MP3's. This conversion is needed in order to place music into your Neo Car Jukebox. While it is not required, we recommend MusicMatch Jukebox be used in order to take full advantage of your Neo Car Jukebox's features. For this reason the CD Key has been included on the MusicMatch CD case. This key will allow you to upgrade to the Plus version (\$19.99 value) free of charge.

Software Installation

You will find MusicMatch Jukebox Plus on the Application and User's Manual CD. Place this CD into your CD-ROM drive and install the software.

For simple instructions on using MusicMatch Jukebox Plus, double click on the file named "mmovie" on your CD. Also check the help menu's of MusicMatch.

SSI does not provide troubleshooting support for MusicMatch Jukebox Plus. Visiting their website (www.musicmatch.com) if you have questions about this software is recommended.

Software Configuration

Once you have MusicMatch Jukebox installed there are a few settings we urge customers to change. Each is listed below.

NEO CAR JUKEBOX INSTRUCTIONS

1. Go to “Options” -> “Recorder” -> “Quality” -> Settings
2. Make sure “MP3 (128kbps)” is selected for CD quality, for best results chose ”MP3 (160kbps)”
3. Click “Songs Directory...”
4. Select the directory you would like MusicMatch to save your music to. It is suggested you use a folder on your computers drive, not the Neo Jukebox.
5. Select the “Track Number” and “Track Name” boxes in the “Name Song File Using” section. Click OK.

You are now finished setting up MusicMatch Jukebox for use with your Neo Car Jukebox. Please remember which folder you selected for files to be saved in. Once you have encoded your first CD, simply go to the selected folder, and copy the music folders to your Neo Car Jukebox. To copy folders, select the folders you would like to copy, right click your mouse, then click “copy”. Go to a folder in your New Car Jukebox and select “Paste”.

Use Of Software

For detailed instructions on using MusicMatch Jukebox you can load MusicMatch, click “Help” then select “Getting Started”. Another good way to learn the basic functions of MusicMatch is with the video included on your MusicMatch CD. Should you require support for MusicMatch Jukebox, please contact www.musicmatch.com

Trouble Shooting

Problem: I cannot locate an “Upgrade Key” or “CD Key”.

Solution: Locate the white CD case your MusicMatch CD was shipped in. On this case you will notice there is a number, this is the upgrade key. If your CD did not ship in a white case, check the top of the CD for a number.

Problem: I cannot find the MP3 files MusicMatch Jukebox is creating.

Solution: Click on your start menu, select search, and then choose for files or folders. In the first box, type *.mp3 and then click “Search”.

Car Installation

In this chapter you will learn how to install the Neo Car Jukebox in your car. Car installation includes the installation of the Car Bay, Wired Remote LCD, and the FM Modulator.

Installation Options

There are many ways to install the Neo Car Jukebox in your car. While this can be done yourself, we suggest that you have the player professionally installed in a local car audio store for best results. There are three basic installation methods that will be described below. Diagrams on the following pages display each method.

All Methods:

The car bay is installed in the trunk of the car with the remote LCD going to the front of the vehicle. The car bay is powered using the ground of the car and the +12 power cable from the “ignition” switch in your fuse box.

Method 1:

RCA cables will be connected to the FM modulator that goes in the car stereos antenna line. The FM modulator is powered by the 12v output from the car bay.

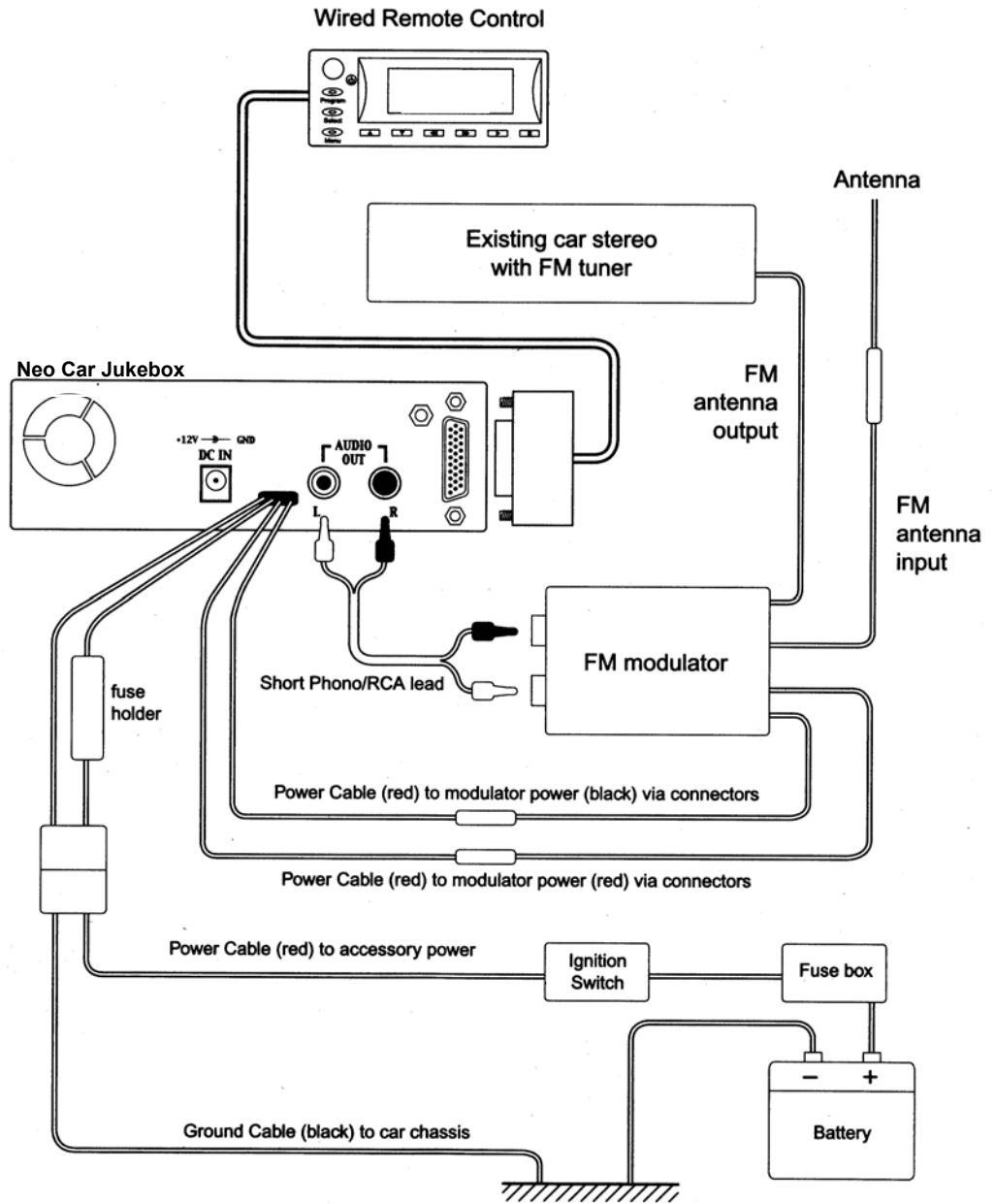
Method 2:

RCA cables connect to the car stereos line input. This method provides very good sound quality as well as easy switching between CD/Radio/Neo.

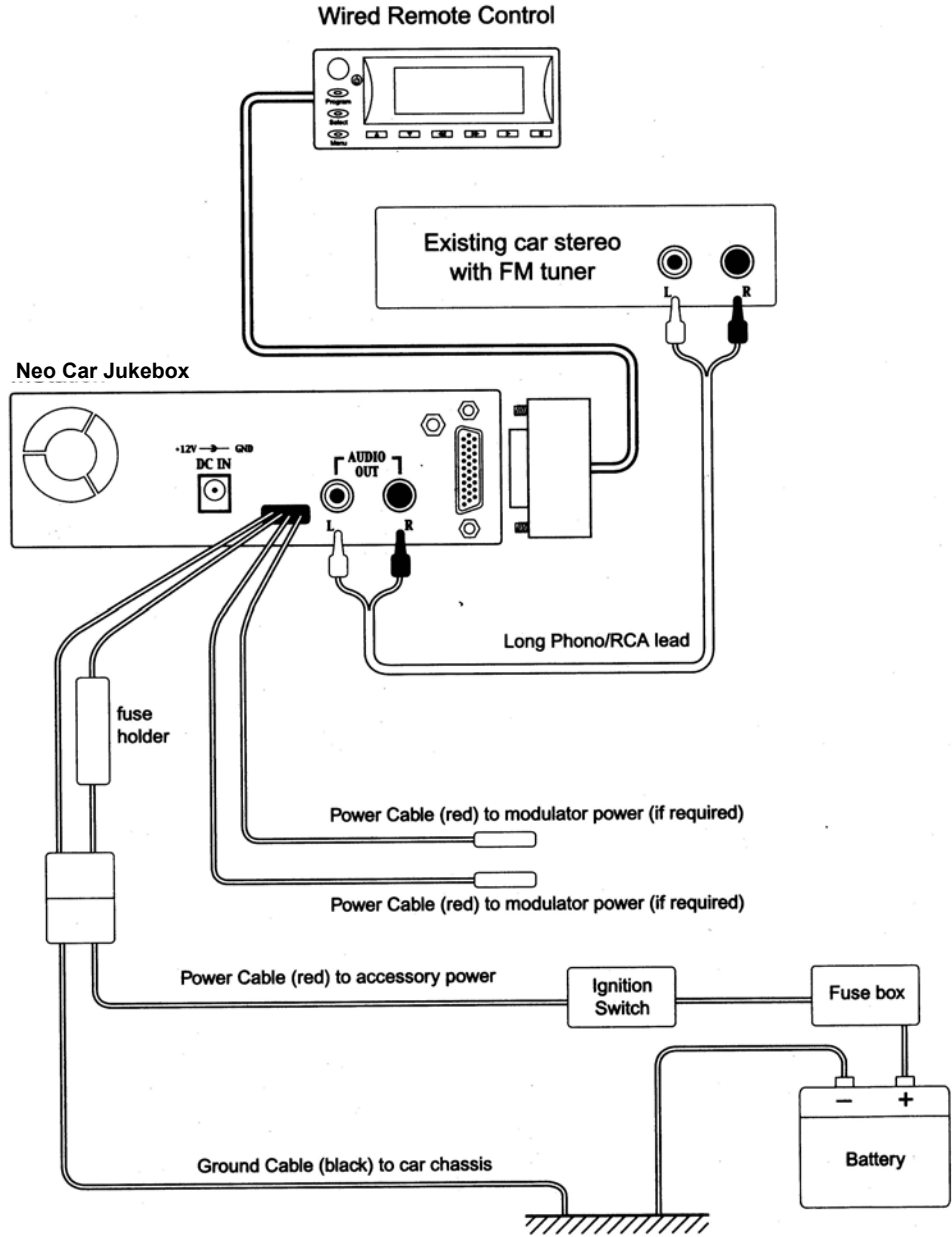
Method 3:

RCA cables connect to the amplifiers line input. The 12v output from the car bay can be used to turn the amplifier on and off. This method is not illustrated.

NEO CAR JUKEBOX INSTRUCTIONS



NEO CAR JUKEBOX INSTRUCTIONS



Remote LCD

The remote LCD is the device you will use to control your Neo Car Jukebox. It has an LCD display which will show the players menu system and song information, as well as nine control buttons and an on/off switch. More information about the use of the remote LCD can be found in chapter five.

For best results you will want to install your remote LCD in a location that is easy to reach while sitting in your car seat. We suggest installing it somewhere on the dash just above or below your car stereo. If you do not want to take the time or money to have a custom installation, you can use the included Velcro strips. Attach one strip to the back of your remote LCD, and the other to your cars dash. The remote LCD's cable should be run under the carpet if your car to the location of your car bay. A picture of a custom installation is below.



It is suggested that the remote LCD be installed as low as possible, especially in cars that allow a lot of sun. Installing the remote LCD low on your dash will allow you to easier reach the buttons, and will also reduce glare caused by the sun, increasing visibility.

The remote LCD has an on/off switch located in the upper left hand corner. In order to use this switch, you must be sure to turn the main on/off switch to the off position. This switch can be found on the Neo Car Jukebox in your car bay.

Car Bay

It is best to install the car bay into the trunk of your car. This decreases the likelihood of theft, and also keeps the unit out of direct sunlight. Neo Car Jukebox users often attach the car bay to the top of their vehicle, similar to most CD Changer installations. This allows use of the trunk for storage and keeps the unit out of the way. Included with your car bay are two metal installation rails that can be used to attach the bay to the top of your trunk.

It is suggested that you first screw the metal mounting brackets onto the sides of your car bay, and then attach them to the trunk. This will ensure the bay will fit. Below is a picture of a car bay installed in a trunk.



Once the car bay is installed you will need to power it. Attach the fused power line to the back of your car bay, then the long power cables to the fused power line. With this complete you will be ready to attach the power cables to your car. While the black (ground) wire can be attached to anywhere on the car, we suggest it be connected to the same location your car stereo or amplifier are connected, this will prevent noise created by a “ground loop”. The red power wire should be connected to your switched power. Check your fuse box for “ACC” or “Ignition”. You will find this power wire will turn on and off based on the position of the key in your ignition.

Should you require any help with the installation of your car bay, or encounter noise in your audio signal once the player is installed, it is suggested you visit a local car audio shop for help. Local shops are very experienced with isolating and removing noise in car stereo systems.

FM Modulator

The FM Modulator will allow the Neo Car Jukebox to easily be installed in any vehicle. Once connected the sound will be the same as a very strong FM radio station, which is usually good enough for most listeners.

For best results the Neo Car Jukebox should always power the FM modulator. You will find a small 12v power output on the back of your car bay. This output will turn on and off with the Neo to ensure your radio continues to get good reception when the Jukebox is not in use. Most customers place the FM Modulator behind their car stereo, in the antenna line. Some choose to mount the FM Modulator in the trunk, next to their car bay. If you choose to mount the modulator in the trunk, you will need to use the included antenna wire extension cables.

It should be noted that the FM Modulator will reduce the quality of the audio, directly connecting the RCA outputs to RCA inputs will always provide the best sound. It is suggested that you ask local stores if they carry adapters for the back of your car stereo to add RCA inputs where the CD Changer would normally plug in.

Trouble Shooting

Problem: The Neo Car Jukebox has no power while in the trunk.

Solution: Check the power wires and make sure they are connected correctly and check the fuse to make sure it did not blow out during installation.

Solution: Make sure the key is locked on the front of the unit, and press the power button on the main unit for testing. If this works, turn the power button off, and power the unit on from the remote LCD's power button.

Problem: There is a lot of noise in the audio output.

Solution: If the noise is a constant tone (usually 60hz), you have created a ground loop somewhere in your installation. This can be fixed by checking to see where your car stereo, FM modulator, amplifier, and Neo Car Jukebox are grounded. Centralize this ground location if possible. If it is not possible to change the ground location, a device called a "ground loop isolator" can be used to remove the noise.

Solution: If the noise changes as you press your gas peddle, the RCA cables are most likely picking up noise. Check the location and type of cables used and make sure they are not near any strong electrical signals created in your car. It is usually suggested that RCA cables not be run near power cables of any type.

Problem: Nothing seems to work and I am very frustrated.

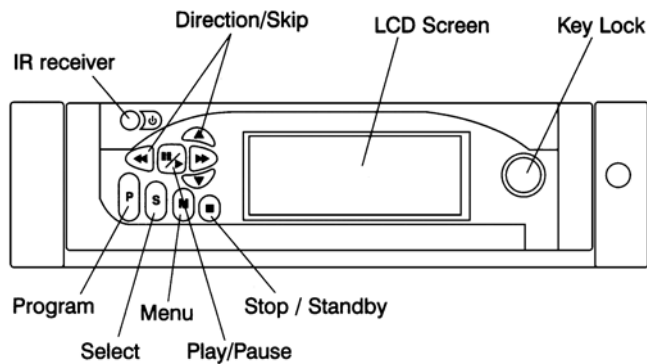
Solution: At this point you should visit a local car audio shop for installation. This will cost money, but it is worth it for the years of enjoyment you will receive.

Car Use

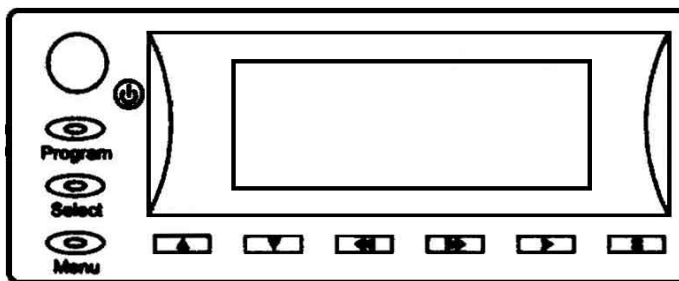
In this chapter you will learn how to use the Neo Car Jukebox in your car. Car use includes how to navigate the menu system, how to change settings and songs, as well as how to use the remote LCD and remote control effectively.

Front Bezel

In some installations it is important to know how to operate the unit using the controls on the front bezel. Below is a picture showing the buttons and detailing their functions.

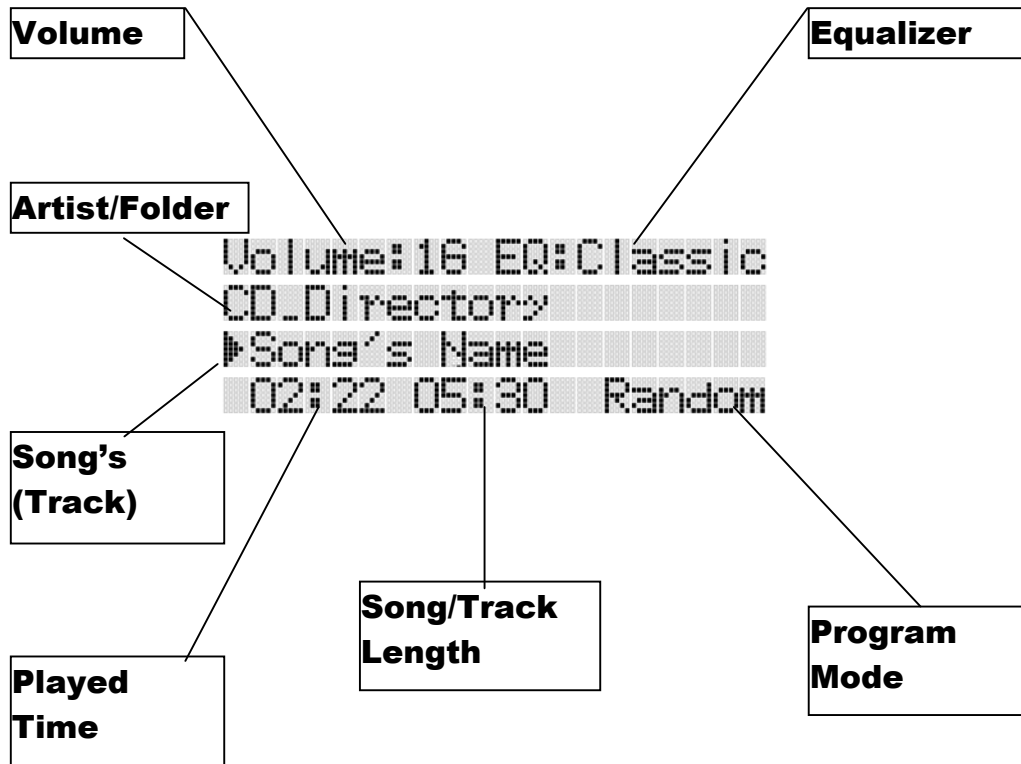


Remote LCD



NEO CAR JUKEBOX INSTRUCTIONS

The remote LCD will be used to control your Neo Car Jukebox and display important information. Pictured below is the LCD with descriptions of each region on it.



Volume – The volume level is indicated at all times on the LCD. When there is no volume, or the unit is muted, “- -” will be displayed. The maximum volume is “32”. If you do not plan to use the volume control on your Neo, it should be left at “32” since this represents the line-level output voltage.

Equalizer – The built in equalizer has five settings; rock, classical, pop, jazz, and user. Each setting is detailed later in the instructions

Artist/Folder – This line is for the artist name. If the artist name is not displayed on a particular MP3 file, you will need to edit the “Artist” information in the ID3 tag.

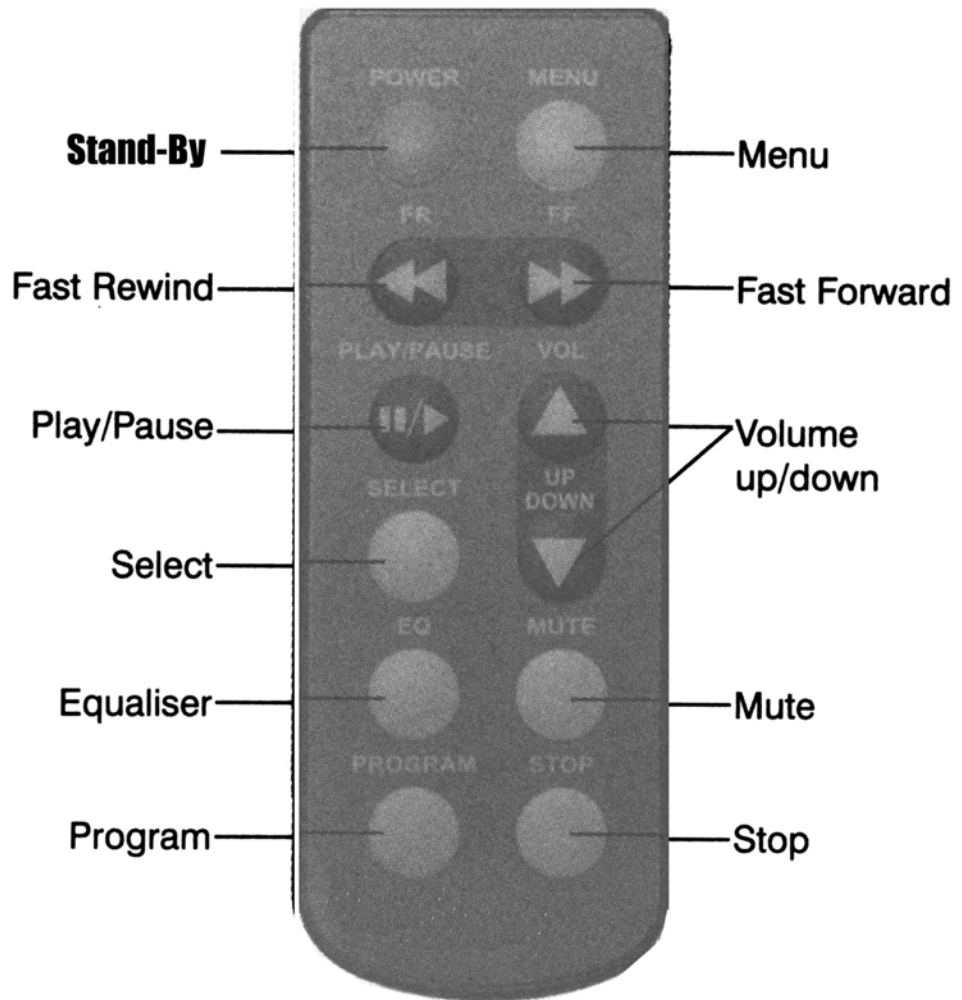
Song's (Track) – The song title will be displayed here.

Played Time – This timer will start at 00:00 and count up until it reaches the time displayed in “Song/Track Length”.

Song/Track Length – The total length of the track playing is displayed here.

Program Mode – This line displays the program mode, when nothing is displayed, no program mode is selected. Program modes are covered in detail later in this chapter.

Remote Control



The IR remote is about half the size of a credit card, and three times as thick. It will operate with the main unit, as well as the wired remote LCD. It is recommended that the IR remote be used a maximum of eight feet from the receiver.

In order to use the power button, it must be held for two seconds. This will not turn your player completely off, it will only place it into stand-by mode.

The IR remote ships with a small battery (type CR20025), to activate this battery the plastic tab must be removed. A replacement for this batter can be found at your local store as it is a very common type.

Basic Control

It is very easy to play music on your Neo Car Jukebox. The controls are almost like a home or car stereo system. Once files are placed onto the unit, and the unit is placed into the car docking bay and powered on, it will automatically count and index the number of songs and location of your music. This process will only take a few minutes, after it is finished, you will be ready to use your player.

Below is a list of each button and its exact functions. Read this section over then view the next section and return to this section for better understanding.

[SELECT/BROWSE]

- BROWSE – Press **[SELECT/BROWSE]** to enter or leave browse mode. Browse mode is used to select which file you would like to hear.
- ID3 MODE – While a song is playing press and hold the **[SELECT/BROWSE]** button to toggle ID3 tags on and off. See more info in Chapter 7.

[PLAY]

- PLAY – While in browse mode selecting an mp3 file the **[PLAY]** button can be pressed to begin playback of the selected song
 - While in the menu selecting a folder the **[PLAY]** button can be pressed to play the first song inside the selected folder
- PAUSE – While a song is playing press the **[PLAY]** button.
- PLAYLIST – While in browse mode selecting a folder the **[PLAY]** button can be pressed and held for two seconds. This will cause the unit to build a playlist with all the files inside the selected folder, as well as all folders within that folder. See program mode “Playlist” and “Playlist Random” for more information.
- QUEUE – While a song is playing enter browse mode and hold the **[PLAY]** button for two seconds on the song you would like to hear next. The LCD will display a “+” sign after the playtime to indicate a song is queued for playback. Only one song can be queued at a time.

[STOP]

- STOP – While a song is playing press the **[STOP]** button.
- STAND-BY – While the player is stopped hold the **[STOP]** button for two seconds to place the player in stand-by mode. Repeat to exit stand-by mode.

NEO CAR JUKEBOX INSTRUCTIONS

[UP/DOWN]

- VOLUME – While a song is playing press the [UP] button to increase volume to a maximum of 32. Press the [DOWN] button to decrease volume.
- MENU – While in browse mode use [UP] and [DOWN] to scroll up and down.

[RIGHT/LEFT]

- NEXT/PREVIOUS – While a song is playing press the [RIGHT] button to play the next song, or the [LEFT] button to play the previous song.
- FASTFORWARD/REWIND – While a song is playing press and hold the [RIGHT] button to fast-forward, or the [LEFT] button to rewind.
- NAVIGATION – While in browse mode, select a folder using the [UP] or [DOWN] button, then go into that folder using the [RIGHT] button. To exit a folder, simply press the [LEFT] button while in menu mode.

[MENU/EQ]

- EQUILIZER – While a song is playing or stopped press the [MENU/EQ] button to select which EQ mode you would like to use. Once the “EQ:” section on the LCD is flashing, use the [LEFT] and [RIGHT] buttons to cycle through the various EQ modes, which are detailed later.
- BALANCE – Press the [MENU/EQ] button a second time to access the right/left speaker output. Use the [LEFT] and [RIGHT] buttons to adjust.
- BASS/TREBEL – If the EQ is set to “USER” you can press the [MENU/EQ] button multiple times to cycle through bass and treble settings. Use the [LEFT] and [RIGHT] buttons to adjust.

[PROGRAM]

- PLAY MODE – Press the [PROGRAM] button to cycle through various play modes, which are detailed later.

Navigation

Basic navigation through the folders of the Neo Car Jukebox can be learned very easily by using the system for a few minutes. This section of the instructions should be read while you are using the unit, as visual feedback is very important.

Please dock the player into a computer and add a few songs and folders for testing purposes. When finished place the unit into your car bay, lock the key lock, and power the unit on using the power button.

Once the unit has booted, read the following section pressing the buttons as you read.

Step One:

Press the **[PLAY]** button, you will see the unit begin playing the song displayed on the LCD.

Step Two:

Press the **[SELECT/BROWSE]** button to enter a menu displaying your songs and folders. While in the menu press the **[LEFT]** button a few times to make sure you are in the main folder. You will notice an arrow marks folders, while a music note marks songs. Scroll using the **[UP]** and **[DOWN]** buttons to view your files and folders. Select a song represented by a music note, and press **[PLAY]**.

Step Three:

Press the **[SELECT/BROWSE]** button to enter a menu displaying your songs and folders. This time find a folder (marked by an arrow) and press the **[RIGHT]** button to go into this folder. Next press the **[LEFT]** button to go back to the main folder. Select another folder, and press the **[RIGHT]** button to go into it. Select a song inside and press **[PLAY]**.

Step Four:

Press the **[SELECT/BROWSE]** button to enter a menu displaying your songs and folders. Press the **[PLAY]** button on a folder that has music in it and is marked with an arrow.

You now know how to operate your player. It is suggested that you view the previous section about button functions to better understand the player.

You also may wonder how people arrange all their music. This information can be found in chapter six.

Program Modes

The Neo Car Jukebox has many play modes. These modes will help you enjoy your music exactly how you want to. The **[PROGRAM]** button is used to cycle through program modes. Each mode is detailed below.

Repeat – In repeat mode the Neo Car Jukebox will play the selected song over and over until another song is selected.

Repeat All – In repeat all mode the Neo Car Jukebox will play the songs in the folder you are in over and over without moving on to other folders or stopping.

Random – In random mode the Neo Car Jukebox will play the songs in the folder you are in randomly without moving on to other folders.

Random All – In random all mode the Neo Car Jukebox will randomly play every song on the unit.

Directory Only – In directory only mode the Neo Car Jukebox will play the folder you are currently in then go into stand-by mode automatically. To leave stand-by mode, press and hold the stop button.

The program functions changes when you have a playlist loaded, or have used the AutoDJ feature. Only two options are available.

Playlist – The playlist will be played one song at a time, start to finish.

Playlist Random – The songs on the selected playlist will be played randomly.

Equalizer Functions:

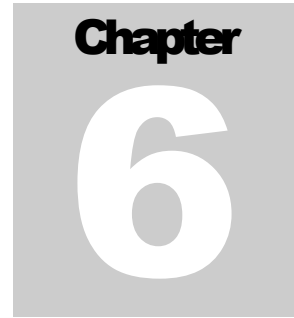
The Neo Car Jukebox has four pre-set bass and treble settings. To scroll through the various settings, press the **[MENU/EQ]** button until you see EQ flashing on the LCD. Once EQ is flashing on the LCD, use the **[UP]** and **[DOWN]** keys to scroll through the various equalizer functions. Most customers choose to set their own bass and treble levels. In order to do this, select “USER” while browsing the EQ modes, and then press the **[MENU/EQ]** button to select it. Once user has been selected, pressing the **[MENU/EQ]** button a few times, you will notice the unit scrolls through and allows customization of balance, bass, and treble. Use the **[UP]** and **[DOWN]** buttons to adjust each.

Playlist Files

Playlist files appear in browse mode with three lines before them. When you press play on a playlist file, the Neo Car Jukebox will find all the songs in the playlist, and begin playback. Press the [PROGRAM] button while a playlist is playing to switch to Playlist Random mode.

AutoDJ

If you do not have a playlist file, but would like to hear one folder and all the folders inside it, you can use the AutoDJ function. Press **[BROWSE/SELECT]** to see various files and folders. Hold the **[PLAY]** button for two seconds on one folder. You will notice the Neo Car Jukebox will build an index as if you have selected a playlist file. Once finished, it will think you are playing a playlist, and allow you to use playlist random mode.



Advanced Use

In this chapter you will learn how to arrange your music in such a way it is very easy to access. You will also learn about file name limitations.

Folder Arrangement

The key to making the Neo Car Jukebox easy to use is in folder arrangement. If your folders are not organized it is like a cluttered room or desk; impossible to find anything. With some planning and organization you will find you can instantly listen to any song you would like.

It is suggested that in the root directory (right after you click on the Neo under “My Computer” folders be made based on type of music. This may include making folders named “Rock” “Jazz” “Classical” “Rap” or any other type of music you listen to. Once these folders are made, you are one step closer to having your music arranged.

We will use “Rock” as an example for the next step. Once the “Rock” folder is made, double click it to go into it. Once in the rock folder, make a folder for one of your favorite artists, such as a band named “Monolith”.

Some users will place all their “Monolith” songs inside the “Monolith” folder, while others will choose to make a folder for each album. If this is the case, and you have a Monolith album named “Jeremy”, you would make a folder named “Jeremy” inside your “Monolith” folder, placing the songs of the album inside it. Below is the structure folder by folder.

Method 1: My Computer -> NEO -> Rock -> Monolith -> Song1.mp3

Method 2: My Computer -> NEO -> Rock -> Monolith -> Jeremy -> Song1.mp3

Please note that inside MusicMatch Plus settings you can tell it to make directories, and also tell it how to name songs. See chapter two for more information.

Making Playlists

While playlist files are not needed, some choose to use them. If you wish to use playlist files, we suggest a program named “Winamp” be used to make playlists. Please visit www.winamp.com for free download instructions.

Once winamp has been downloaded and installed, you can read the included instructions and begin creating playlist files. When saving playlist files, be sure to save the files as “Drive Independent”. MusicMatch cannot be used to make playlist files.

File Names

So long as you are using ID3 tags, the names of your mp3 files do not matter. It is suggested that they be no more than 64 characters in length due to compatibility issues. Should a file not load on your Car Jukebox, check the name, and make sure it is no more than 64 characters. If you wish to keep your files in order based on the CD they came from, be sure to set MusicMatch up to save the track number as the first part of the file name. This will ensure playback on your Neo Car Jukebox is in the same order as on the original CD.

Advanced Use

In this chapter you will learn how to edit mp3's ID3 tags so your Neo Car Jukebox will display songs exactly how you would like it to.

Editing ID3 Tags

An ID3 tag is the information inside an MP3 file such as artist and song name. If you download an MP3 from the Internet, the ID3 tags are usually correct. If they are not, you can fix it using MusicMatch Jukebox. Once the file is opened in MusicMatch, you will want to select "Edit" then select "Playlist Track Tag(s)" from the main menu. Inside the box that is displayed you will be able to edit the ID3 tag information.

ID3 Mode On/Off

If you are unable to edit ID3 tags and cannot see information about a song on the Neo Car Jukebox, you can hold the "Play" button for two seconds while a song is playing to toggle ID3 Mode on and off. With ID3 mode off the player will display artist and song information from the file name rather than the ID3 tag. Hold play again to turn ID3 mode back on.

Detailed Info

In this chapter you will learn detailed information about your Neo Car Jukebox including care and warranty information.

Care Instructions

The Neo Car Jukebox uses a hard drive for storage rather than CD's. Since a hard drive is used, special care is required. Please read all the instructions below carefully before handling your Neo Car Jukebox.

Storage:

Avoid storing the Neo Car Jukebox in areas with high humidity, strong magnetic fields, or extreme temperatures.

Impact:

Do not subject the Neo Car Jukebox to severe impact or jarring. Vibration experienced during normal driving or moving will not affect the Neo. However, dropping the player or some off-road driving may result in damage or sound distortion.

Liquids:

If liquid enters the Neo Car Jukebox damage may result. If the Neo comes in contact with liquid, wipe immediately with a dry cloth.

Computer:

It is suggested that users occasionally run "scandisk" while the Neo Car Jukebox is in the PC docking bay. Scandisk will find and fix any errors that may exist, as well as give detailed information about the drive.

Technical Specifications

LCD DISPLAY

Main Unit Liquid Crystal Display (LCD)	59.70mm x 22.12mm Visual Area 20 x 4 Character Dot Matrix Alphanumeric Display Green Back Light
Wired Remote Liquid Crystal Display (LCD)	59.70mm x 22.12mm Visual Area 20 x 4 Character Dot Matrix Alphanumeric Display Inverse LCD Display with Color Filter

MEMORY

RAM	Built-in 1MB Buffer
MEDIA	3.5 Inch EIDE/Ultra DMA IDE HDD

DIMENSIONS AND WEIGHT

Main Unit:	131mm x 43mm x 215mm 600g
PC Dock:	146mm x 43mm x 230mm 300g
Car Bay:	178mm x 50mm x 222mm 300g

INTERFACE

Car Bay:	Fused 12v Input Switched 12v Output RCA Output Earphone Output Wired Remote LCD Output
PC Bay	Standard IDE 40 Pin With DMA33/66 Power Input

CONTROL

Front Bezel and Remote LCD	Up, Down, FF, RW, Play, Pause, Select, Program, EQ
----------------------------	--

All specifications are subject to change without notice.

Notices, Warnings, and Warranty Info

Copyright Notice:

Please note that the Neo Car Jukebox is to be used as a personal music player. Copying, downloading, and transferring music without permission of the copyright holder is illegal. SSI and its resellers will not be liable for unlawful use of the Neo Car Jukebox

Caution:

1. Use of headphones while operating an automobile or moving vehicle is not recommended and is unlawful in some countries and areas.
2. Be careful and attentive on the road. Stop operation of the Neo Car Jukebox if you find it disruptive or distracting while driving. The driver of a motor vehicle should not operate the Neo Car Jukebox while driving.

Warning:

This equipment may be reset by unintentional electrostatic discharge during operation. Exposure to direct sunlight or extreme heat may cause damage or malfunction.

Limited Warranty

Neo Car Jukebox is warranted to be free from failures due to defects in material and workmanship for one year from the date of original purchase as evidenced by a copy of the purchase receipt. During the warranty period, SSI (at sole discretion) will repair or replace at no charge, a product which, in its opinion, is found to be defective.

If the failed product has been modified in any way without the consent of SSI or if the failure is the result of misuse, abuse, or misapplication, SSI has no obligation to repair or replace the failed product.

Except as expressly provided above, the hardware and accompanying written material (including the users guide) are provided 'as is' without warranty of any kind including the implied warranties of merchantability

and fitness for a particular purpose. This specifically does not warrant the operation of the hardware and SSI will not be liable for any direct, indirect, consequential or incidental damages arising out of the use or inability to use such product even if SSI has been advised of the possibility of such damages.

FCC Class B Radio Frequency Interference Statement

This equipment has been tested and found to comply with the limits for a Class B digital device, pursuant to Part 15 of FCC rules. These limits are designed to provide reasonable protection against harmful interference in a residential installation. This equipment generates, uses, and can radiate radio frequency energy and, if not installed and used in accordance with the instructions, may cause harmful interference to radio communications. However, there is no guarantee that interference will not occur in a particular installation. If this equipment does cause harmful interference to radio or television reception, which can be determined by turning the equipment off and on, the user is encouraged to try to correct the interference by one or more of the following measures:

1. Reorient or relocate the receiving antenna.
2. Increase the separation between the equipment and receiver.
3. Connect the equipment into an outlet on a circuit different from that to which the receiver is connected.
4. Consult the dealer or an experienced radio/television technician for help.

Notice 1: The changes or modifications not expressly approved by the party responsible for compliance could void the user authority to operate the equipment.

Notice 2: Shielded interface cables, if any, must be used in order to comply with the emission limits.

